

# MELO LIFT®

## 1056-G REACH



*REACHING FOR THE SKY*

- 10,000 LBS. CAPACITY
- 56 FOOT LIFT HEIGHT
- 360 DEGREE OPERATOR VISIBILITY
- ADVANCED LOAD SENSE HYDRAULIC SYSTEM
- R.O.P.S, F.O.P.S ERGONOMIC OPERATORS MODULE
- LOW PROFILE DESIGN
- HI STRENGTH BOOM ASSEMBLY
- WELDED BOX FRAME STRUCTURE
- STABLE, RESPONSIVE, PERFORMANCE
- NORTH AMERICAN MANUFACTURED
- FULL RANGE OF ATTACHMENTS

## PERFORMANCE

Rated Capacity @ 24" Load Centre	10,000 lb.	4536 kg
Maximum Lift Height	56 ft.	17.07 m
Load At Maximum height	56' 6,000 lb. with stabilizers down	
Maximum Forward Reach	42'3"	12.83 m
Load At Maximum Reach	42'3" 3,000 lb. stabilizers down	
Lift speed (boom retracted)	Lift 15.04 sec	Lower 13.79 sec
Extend	20.47	
Retract	14.37	
Turning Radius	15'	4.57 m
Top Travel speed	13.9 mph	22.37 kph
<b>Carriage: Forward Tilt</b>	80 degrees	<b>Backward:</b> 20 degrees <b>Width:</b> 48"

## DIMENSIONS

Width 102"	<b>Length</b> 277"	Height 99"
Wheel Base 138"	Ground Clearance 17"	Weight (Basic) 34,200 LB.

## ENGINE

Make	Perkins	1104D—E44TA Turbo
Displacement	268.5 cu. In.	4.4 Liter
Gross Power Basic	129 hp.	96.2 kW
Torque @ 2200 rpm	382 ft. / lbs.	518 Nm

## TRANSMISSION

Dana	T20,000
Three Speed Electric column shift, Full power shift	

## AXLES

Dana: Heavy duty planetary drive. Full time four wheel drive

## BRAKES

Full power hydraulic oil immersed, fail safe disc brakes

## TIRES

Standard 14.00 x 24 - 16 PLY LUG

## CAB

Certified R.O.P.S./ F.O.P.S. Large ergonomic operators module, Industry leading visibility, Excellent operator entry and exit.

## STEERING

Operator select, 4-wheel circle, 4-wheel crab, 2-wheel rear, Full load sense steering, Anti-shock valve in steering

## HYDRAULICS

Load sense system, Variable displacement piston pump, 38 G.P.M., Load sense steering, 10 Micron filter. Parker I-QAN system.

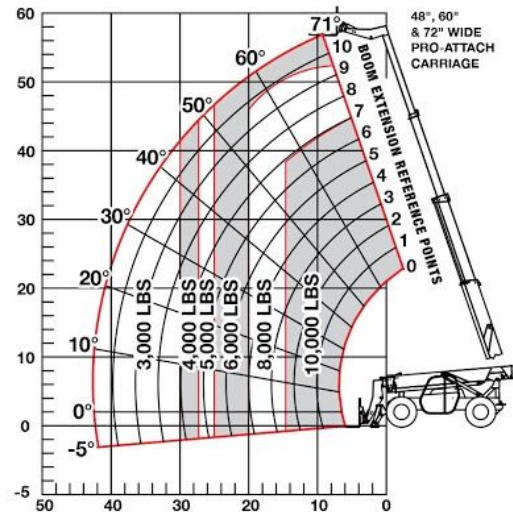
## FRAME

Heavy duty box frame structure. 20 Degrees hydraulic frame leveling. Hydraulically actuated front stabilizers.

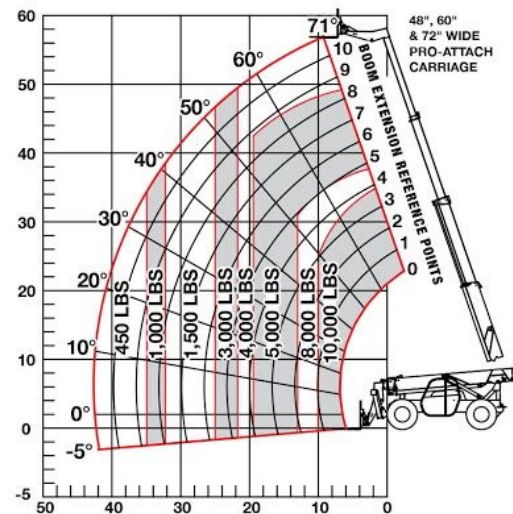
## STANDARD EQUIPMENT

• R.O.P.S & F.O.P.S. Operator module, Single Joystick control • Suspension seat • Retractable seat belt • Tilt & telescopic steering console • L.E.D. Instrument Display: Fuel Level, Oil Pressure Level, Water Temp Level, Alternator IND., Low Oil Pressure IND., Park Brake IND., Preheat IND., Signal IND., Work Light IND., Transmission Temp IND., Park Brake IND., MC2 Fault IND. light. • Safety start • Block heater • Circuit breakers & Rocker switch's • Hour Meter • Work Light Switch • 4 Work lights 2 front 2 rear • Electric horn • Chain Tie downs • Dry type air cleaner • Vandalism protection • Back up alarm • Heavy-duty batteries • Right side rear view mirror • Antifreeze to -40° • Frame level indicator • Automatic self-leveling carriage with manual override • Reach pro-attach system • 48 Inch Shaft Type Carriage • 2.25 x 5" x 48" Shaft pallet forks • Tool box • Operators and safety manuals.

**LOAD LIFTER 1056-G REACH  
LOAD CHART (STABILIZERS DOWN)**



**LOAD LIFTER 1056-G REACH  
LOAD CHART (STABILIZERS UP)**



## OPTIONAL EQUIPMENT

- Factory installed all weather steel cab C/W Heavy duty heater with directional vents, Dome light, Tempered safety glass, Removable door, front & rear wipers, Right hand side slider window.
- Air compressor • Windshield washer kit • Turn signals • Boom light • Air ride seat • Defrost fan • Padlocks • L.E.D. lights • Strobe light • Fenders
- Winterization package • Auxiliary hydraulic circuit.

## Attachments.

- 60", 72" & 84" floating pin carriages
- 48" & 60" Side tilt masonry carriages
- Side shifting carriage
- Utility Bucket 84"
- Truss boom 10' & 12'

**Forks** 2.25 x 5 x 60" & 2.25 x 5x 72" & 2.25 x 5 x 84" Lumber forks

The information contained herein is general in nature and not intended for specific application purpose. Melo Lift reserves the right to make changes in specifications, make improvements, or discontinue manufacturing at any time without notice or obligation.